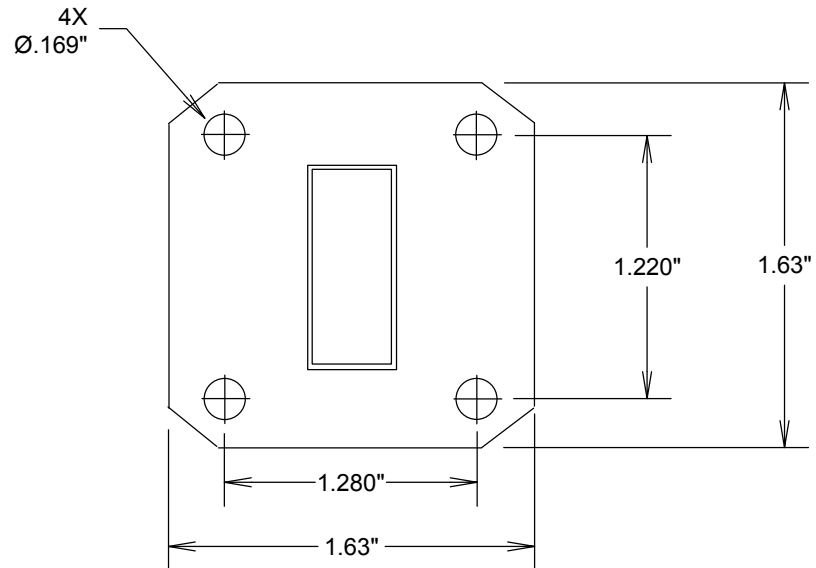
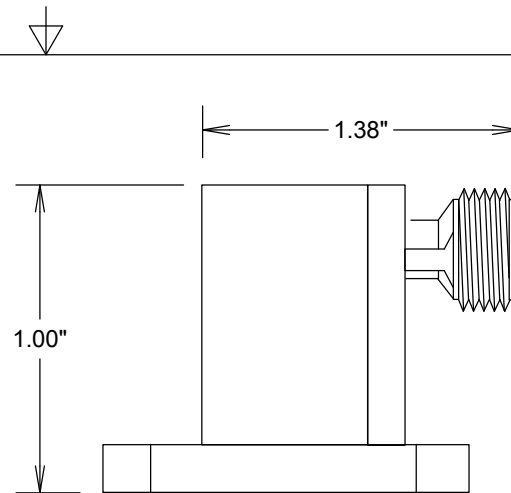


90AC206N

WR90 to N WAVEGUIDE TO COAXIAL ADAPTER

FREQUENCY: 8.2-12.4 GHZ
VSWR: 1.25:1
POWER CW: 150 WATTS
MATERIAL BODY: Al/Cu
MATERIAL CONNECTOR: PASSIVATED
STAINLESS STEEL



FAIRVIEW MICROWAVE INC.

ALLEN, TX 75013 WWW.FAIRVIEWMICROWAVE.COM

TITLE

**WR90 to N WAVEGUIDE TO
COAXIAL ADAPTER**

SIZE	CAGE CODE	DWG NO	REV
A	3FKR5	90AC206N	--

SCALE	SHEET
-------	-------