

ADAPTERS, BETWEEN-SERIES

7/16 - DIN / Type N , DC - 7.5 GHz



SPECIFICATIONS:

Models: 5704, 5705, 5706, 5707

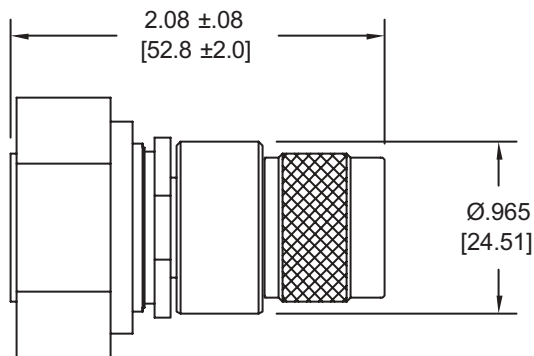
Electrical:

Frequency Range _____ DC - 7.5 GHz
 VSWR _____ 1.35:1 Max.
 Impedance _____ 50 Ohms
 Operating Temp. Range _____ -65°C to +125°C

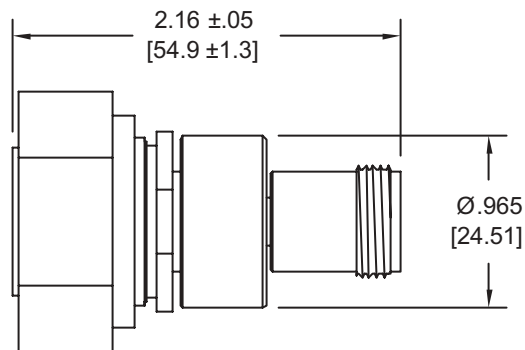
Mechanical:

Type N Connectors _____ Passivated Stainless Steel
Mates with MIL-STD-348
 7/16 - DIN Connectors _____ Silver Plated Brass
IAW DIN 47 223
 Conductors _____ Silver or Gold Plated Beryllium
 Copper or Brass

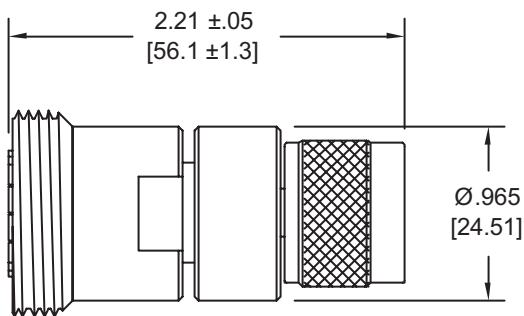
Model Number: **5707**
 7/16 - DIN Male / Type N Male



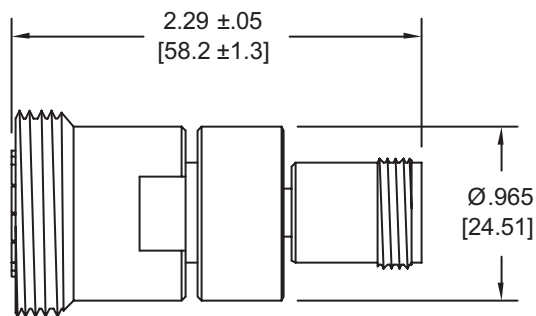
Model Number: **5706**
 7/16 - DIN Male / Type N Female



Model Number: **5705**
 7/16 DIN Female / Type N Male



Model Number: **5704**
 7/16 DIN Female / Type N Female



Note: Dimensions in Brackets are Expressed in Millimeters and are for Reference Only.

5707: REV C

