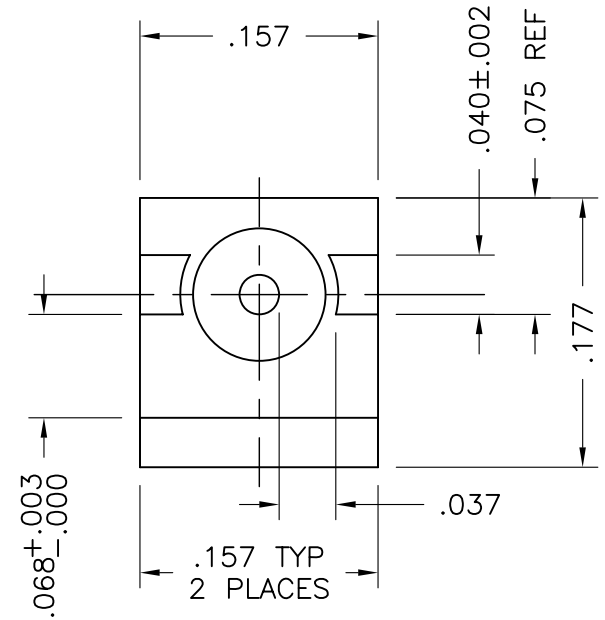
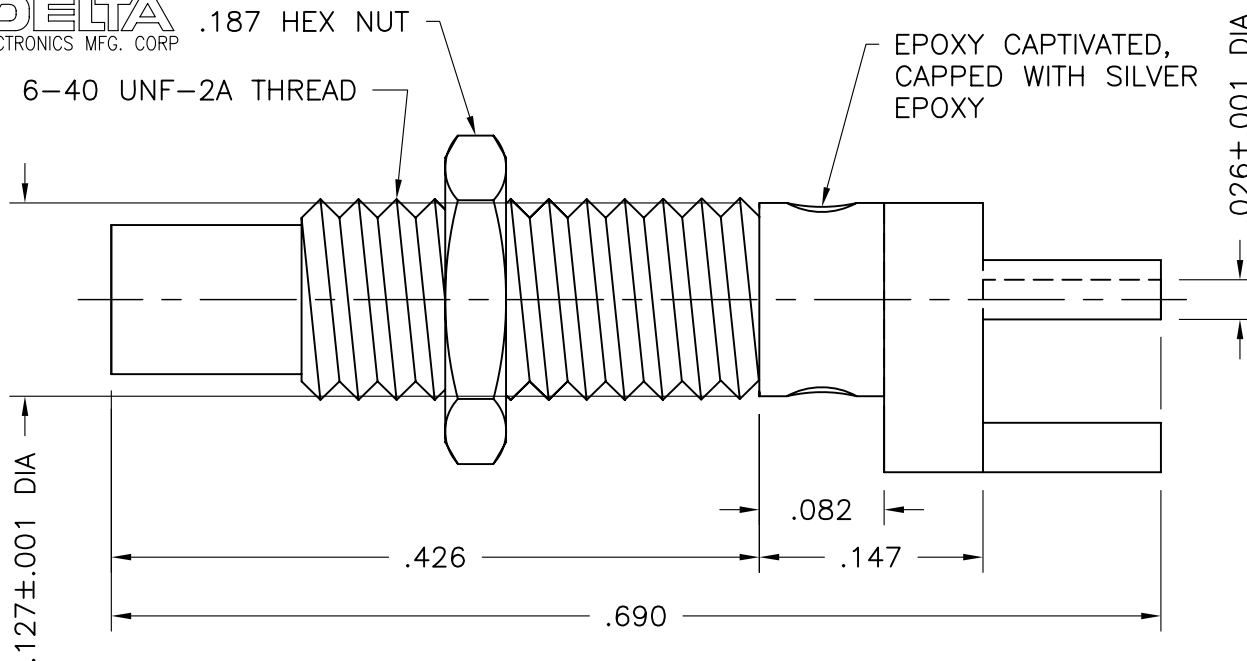


2467-000-G91P-21

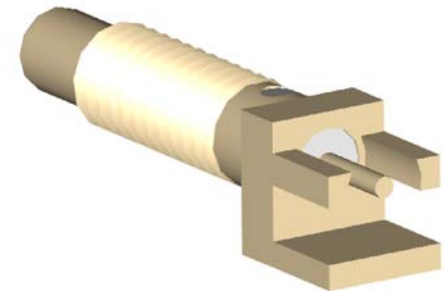


**NOTES:**

- 1. MATERIAL:** BODY - CORROSION RESISTANT STEEL PER ASTM 582, S30300, COND. A.  
 HEX NUT - BRASS PER ASTM B16, C36000 ALLOY, TEMPER H02.  
 CONTACT - BERYLLIUM COPPER PER ASTM B196, C17300 ALLOY, TEMPER TD04.  
 INSULATOR - TEFLON PER ASTM D1710, TYPE 1, GRADE 1, CLASS A.
- 2. FINISHES:** BODY - DEP WOODS NICKEL STRIKE .000010 MAX. THICK THEN SULFAMATE NICKEL PLATE .00015 MIN. THICK PER MIL-G-27418 THEN GOLD PLATE .00003 MIN. THICK PER MIL-G-45204, TYPE II, CLASS 0 (G19)  
 HEX NUT - COPPER FLASH .0001 MIN. THICK PER MIL-C-14550, THEN GOLD PLATE .00003 MIN. THICK PER MIL-G-45204, TYPE II, CLASS 0.  
 CONTACT - COPPER FLASH .00003 MIN. THICK PER MIL-C-14550, THEN NICKEL PLATE .0001 MIN. THICK PER QQ-N-290, CLASS 1, GRADE G, THEN GOLD PLATE .00005 MIN. THICK PER MIL-G-45204, TYPE II, CLASS 1.
- 3. Electrical:**  
 Impedance: 50 OHMS  
 Frequency Range: DC-12.4 GHz  
 Voltage Rating: 250 VRMS, sea level; 60 VRMS max, 70,000 ft.  
 Insulation Resistance: 1000 megaohms min.

**Mechanical:**

Contact Retention: 2 lbs min. axial force, 4 in-oz radial.  
 Durability: 500 mating cycles



3-D VIEW

UNLESS OTHERWISE SPECIFIED: TOLERANCES: 3 PLACES = ±.005, 2 PLACES = ±.02, ANGLES = ±1/2°, SURFACE FINISH = 63

-	OUTLINE	6/11/07
ALT.	REVISIONS	DATE

DELTA ELECTRONICS MFG. CORP. Beverly, MA 01915				
TITLE: 'SSMC' P.C. BOARD JACK RECEPTACLE - EPOXY CAPTIVE - FOR .062 WIDE BOARD				
Drawn by BJM	Scale 8/1	Ckd. by MR	Engr Appd MR	FILE NAME: 2467000G91P-021T
6/11/07				

THESE DRAWINGS AND SPECIFICATIONS ARE THE PROPERTY OF DELTA ELECTRONICS MFG CORP. AND SHALL NOT BE REPRODUCED, OR COPIED OR USED AS THE BASIS FOR THE MANUFACTURE OR SALE OF APPARATUS OR DEVICES WITHOUT THEIR EXPRESS WRITTEN CONSENT.

CODE IDENT.-00795

2467-000-G91P-21