

WR22 TO 2.4/F 33-50 GHZ

22AC206

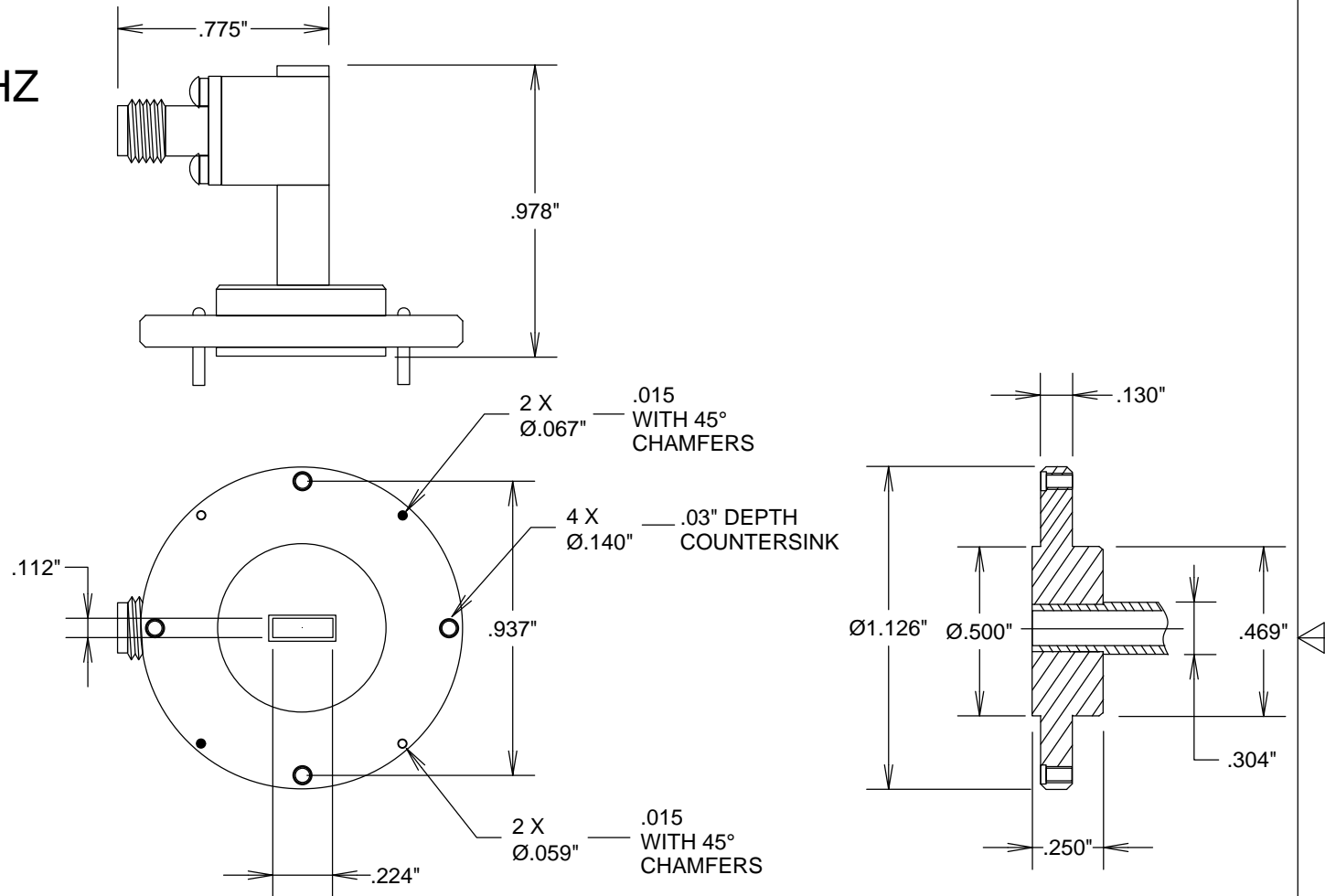
SPECIFICATIONS

ELECTRICAL:

FREQUENCY: 33-50 GHZ
VSWR: 1.50:1

MATERIALS:

BODY: Cu



FAIRVIEW MICROWAVE INC.

ALLEN, TX 75013 WWW.FAIRVIEWMICROWAVE.COM

TITLE

WR22 TO 2.4/F 33-50 GHZ

SIZE CAGE CODE DWG NO

A

3FKR5

22AC206

REV

--

SCALE

SHEET