

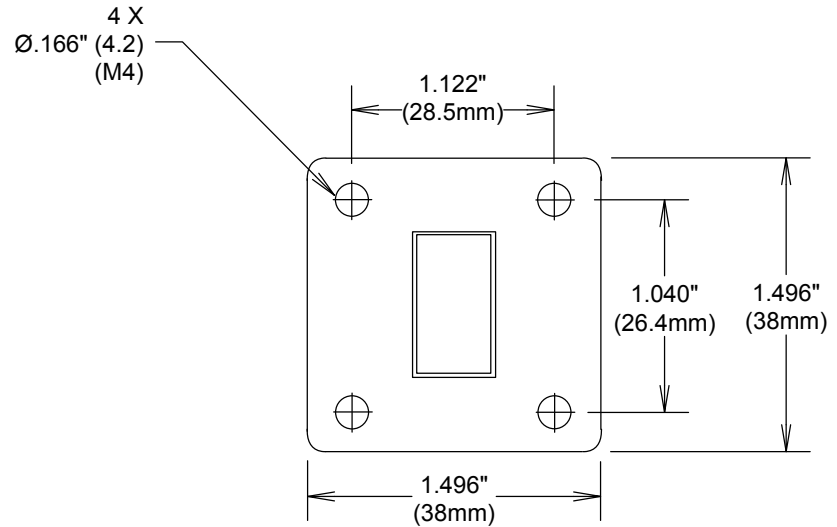
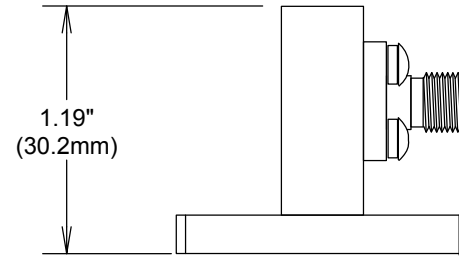
WR75 to SMA-F WAVEGUIDE TO COAXIAL ADAPTER

SMW75ACB

SPECIFICATIONS

FREQUENCY: 10-15 GHZ
 VSWR: 1.25:1 MAX
 MATERIAL BODY: AI
 MATERIAL CONNECTOR:
 BODY: PASSIVATED STEEL
 CONTACTS: BeCu Au PLATED 30μ-in
 INTERFACE: MIL-STD-348A
 TEMPERATURE -55°C to +120°C

ROHS COMPLIANT



FAIRVIEW MICROWAVE INC.

ALLEN, TX 75013 WWW.FAIRVIEWMICROWAVE.COM

TITLE

WR75 to SMA-F WAVEGUIDE TO COAXIAL ADAPTER

SIZE	CAGE CODE	DWG NO	REV
A	3FKR5	SMW75ACB	--
SCALE			SHEET

ALL DIMENSIONS IN inches(mm) Typical