

# WR159 to N-F WAVEGUIDE TO COAXIAL ADAPTER

SMW159ACN

## SPECIFICATIONS

FREQUENCY: 4.9-7.5 GHZ

VSWR: 1.25:1 MAX

MATERIAL BODY: AI

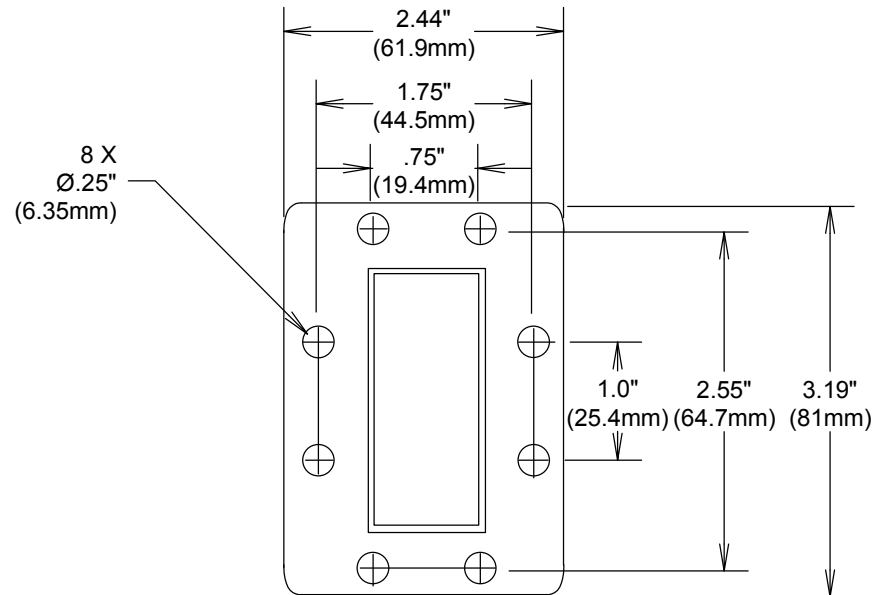
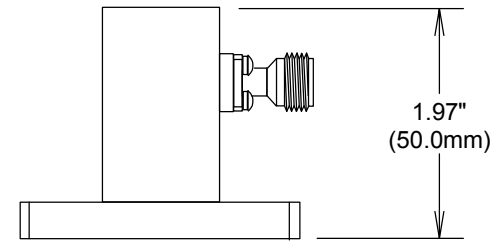
MATERIAL CONNECTORS:

BODY: NICKLE PLATED BRASS

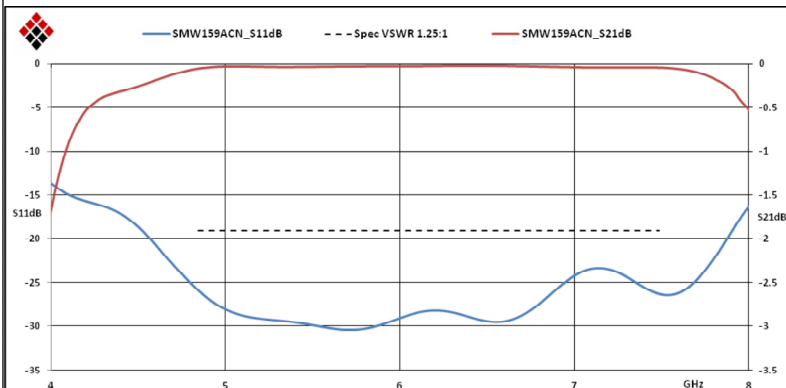
CONTACTS: BeCu Au PLATED 30μ-in

CONN INTERFACE: MIL-STD-883

ROHS COMPLIANT



MEASUREMENTS BELOW ARE TYPICAL



ALL DIMENSIONS IN inches(MM) Typical

**FAIRVIEW MICROWAVE INC.**

ALLEN, TX 75013 WWW.FAIRVIEWMICROWAVE.COM

TITLE

**WR159 to N-F WAVEGUIDE TO COAXIAL ADAPTER**

SIZE

**A**

CAGE CODE

**3FKR5**

DWG NO

**SMW159ACN**

REV

**A**

SCALE

SHEET