

SMA FLEXABLE CABLES 18GHZ 0.141"

SCF65141-XX

SPECIFICATIONS

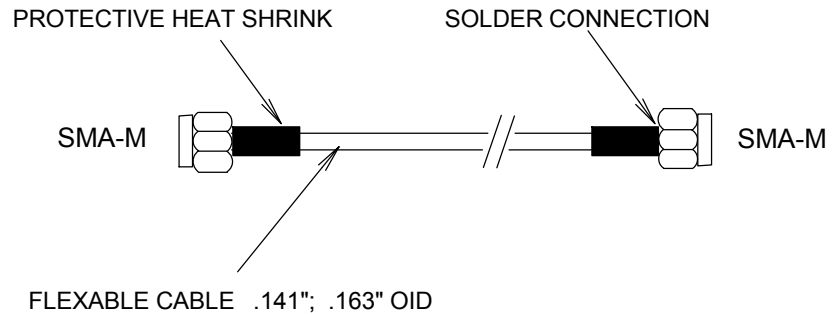
CABLE ASSEMBLY:
 VSWR: 1.20:1 TYPICAL @ 18GHZ
 VSWR 1.30:1 MAX @ 18GHZ

RAW CABLE: (HAVERHILL HFLEX .141 OR EQ)
 TYPICAL LOSS (EXCLUDING CONNECTORS)
 @ 1GHZ: 0.13 DB/FT
 @10GHZ: 0.45 DB/FT
 @18GHZ: 0.64 DB/FT

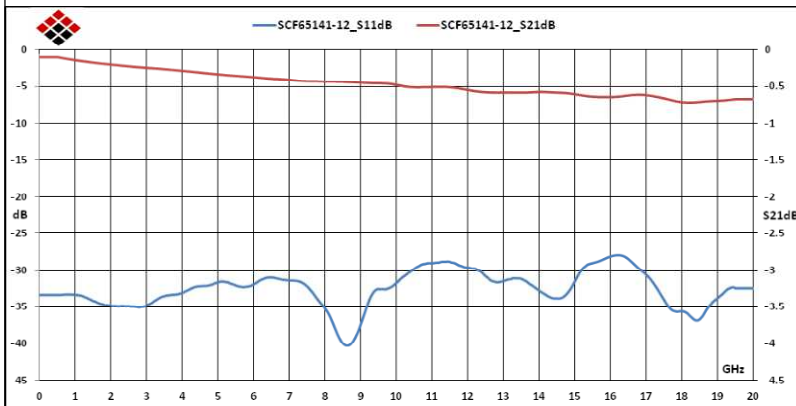
OUTER SHIELD DIAMETER: .141"
 OVERALL DIAMETER: .163"

CONNECTORS:
 SMA: NICKEL PLATED BRASS
 CONTACTS Au PLATING PER MIL-G-45204
 INTERFACE: MIL-STD-348A

XX" +/- .050"



MEASUREMENTS BELOW ARE TYPICAL



ALL DIMENSIONS IN inches(MM) Typical

FAIRVIEW MICROWAVE INC.

ALLEN, TX 75013 WWW.FAIRVIEWMICROWAVE.COM

TITLE

SMA FLEXABLE CABLES 18GHZ 0.141"

SIZE	CAGE CODE	DWG NO	REV
A	3FKR5	SCF65141-XX	A
SCALE	SHEET		