



N/M - N/M FLEXIBLE CABLES 1GHZ RG58

SCB15127-XX

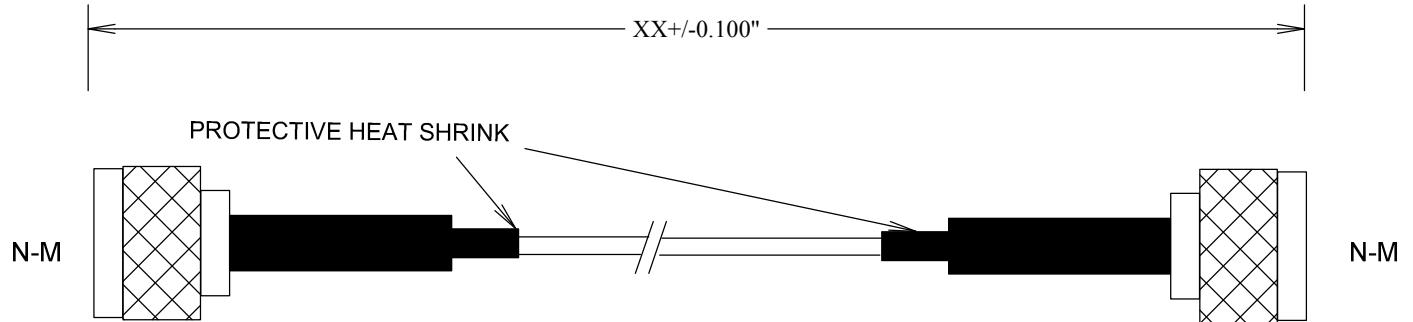
SPECIFICATIONS

CABLE ASSEMBLY:
VSWR:1.2:1 @<1GHZ TYPICAL

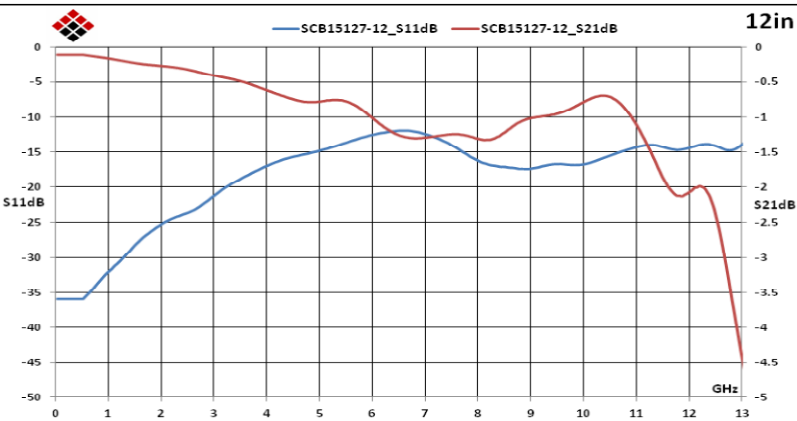
RAW CABLE: RG58
TYPICAL LOSS (EXCLUDING CONNECTORS)
@1GHz: 0.15 DB/FT
@2GHz: 0.22 DB/FT
@3GHz: 0.28 DB/FT

CONNECTORS: BRASS
CONTACTS Au PLATING
INTERFACE: MIL-STD-348A

OP TEMP: -55-110°C



MEASUREMENTS BELOW ARE TYPICAL



ALL DIMENSIONS IN inches(MM) Typical

FAIRVIEW MICROWAVE INC.

ALLEN, TX 75013 WWW.FAIRVIEWMICROWAVE.COM

TITLE

N/M - N/M FLEXIBLE CABLES 1GHZ RG58

SIZE	CAGE CODE	DWG NO	REV
A	3FKR5	SCB15127-XX	--
SCALE		SHEET	

