

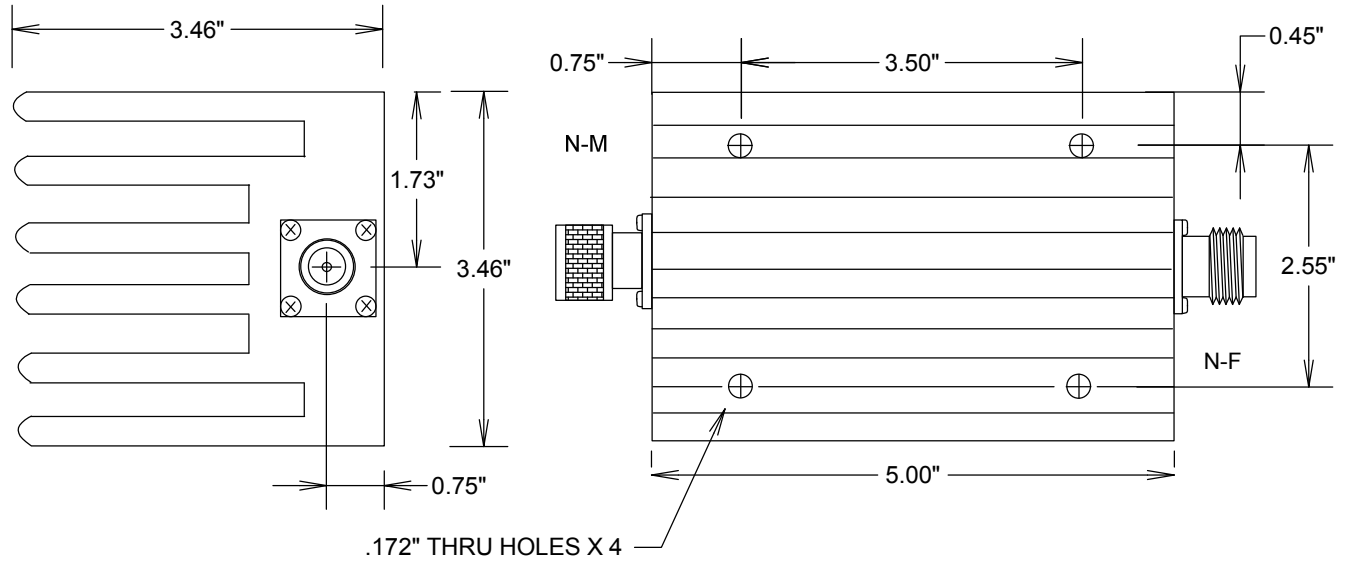
SPECIFICATIONS

ELECTRICAL:

FREQUENCY: 0-3 GHZ
 VSWR @ 2.4 GHZ: 1.2:1 MAX
 VSWR @ 3 GHZ: 1.3 MAX
 POWER (AVG) 150 WATTS @ 25 DEG C
 POWER (PEAK) 2000 WATTS
 ATTENUATION ACCURACY: GREATER OF
 +/-0.5DB OR 3%
 IMPEDANCE: 50 OHMS

ENVIRONMENTAL:

TEMP: -55 C TO +125 C
 ROHS COMPLIANT



FAIRVIEW MICROWAVE INC.

ALLEN, TX 75013 WWW.FAIRVIEWMICROWAVE.COM

TITLE

ATTENUATORS N 150 WATTS 3GHZ

SIZE

A

CAGE CODE

3FKR5

DWG NO

SA3NS150-XX

REV

SCALE

SHEET