

## High Power Isolator SMA Female with 16 dB Isolation from 8 GHz to 18 GHz Rated to 50 Watts

The FMIR1010A is a high power isolator offering a forward and reverse power rating of 50 watts over an operational frequency band of 8 to 18 GHz. This coaxial part uses SMA female connectors on all ports and has a minimum of 16 dB of isolation.

Fairview Microwave offers a wide variety of isolators to fit your needs. These are two-port devices that transmit microwave or radio frequency power in one direction only and block the signal in the opposite direction. They can be thought of as a diode for RF energy. Isolators are used to isolate equipment from the effects of conditions outside of the equipment. For instance they are used to prevent a microwave source being detuned by a mismatched load. Fairview's isolators feature excellent insertion loss, high isolation and reliability, low VSWR, and a wide dynamic temperature range.

### Electrical Specifications

Description	Min	Typ	Max	Units
Frequency Range	8		18	GHz
Impedance		50		Ohms
Insertion Loss			0.6	dB
Isolation	16			dB
VSWR			1.45:1	
Forward Power, CW			50	Watts
Reverse Power, CW			10	Watts

### Mechanical Specifications

#### Size

Length	0.5 in [12.7 mm]
Width	0.56 in [14.22 mm]
Height	0.68 in [17.27 mm]
Weight	0.0475 lbs [21.55 g]

#### Configuration

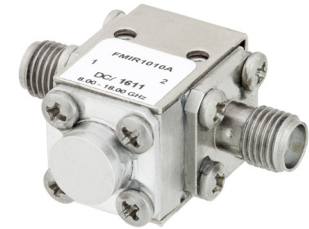
Design	Single Junction
Package Style	Connectorized
Connector 1	SMA Female
Connector 2	SMA Female

### Environmental Specifications

**Compliance Certifications** (see [product page](#) for current document)

### Plotted and Other Data

Notes:



### Features:

- Forward Power 50 watts
- Frequency Range of 8 to 18 GHz
- Female SMA Connectors
- VSWR 1.45:1
- Isolation 16 dB

### Applications:

- Radar Systems
- Military
- Wireless Radio Systems
- Telecom Infrastructure
- Communication Systems
- R&D Labs
- Microwave Radio Systems

Fairview Microwave  
 301 Leora Ln., Suite 100  
 Lewisville, TX 75056  
 Tel: 1-800-715-4396 / (972) 649-6678  
 Fax: (972) 649-6689  
[www.fairviewmicrowave.com](http://www.fairviewmicrowave.com)  
[sales@fairviewmicrowave.com](mailto:sales@fairviewmicrowave.com)

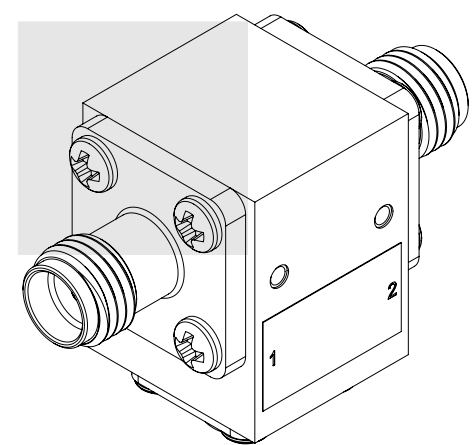
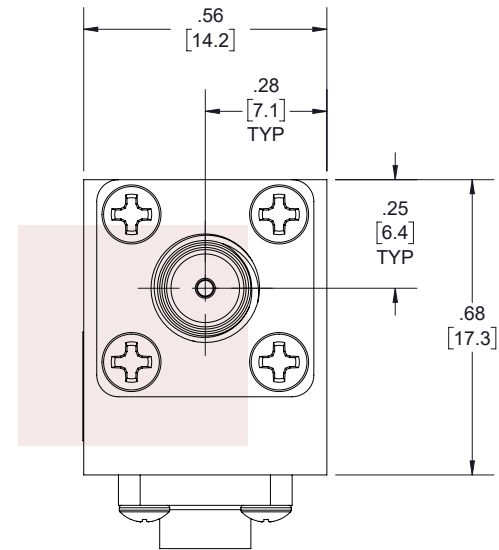
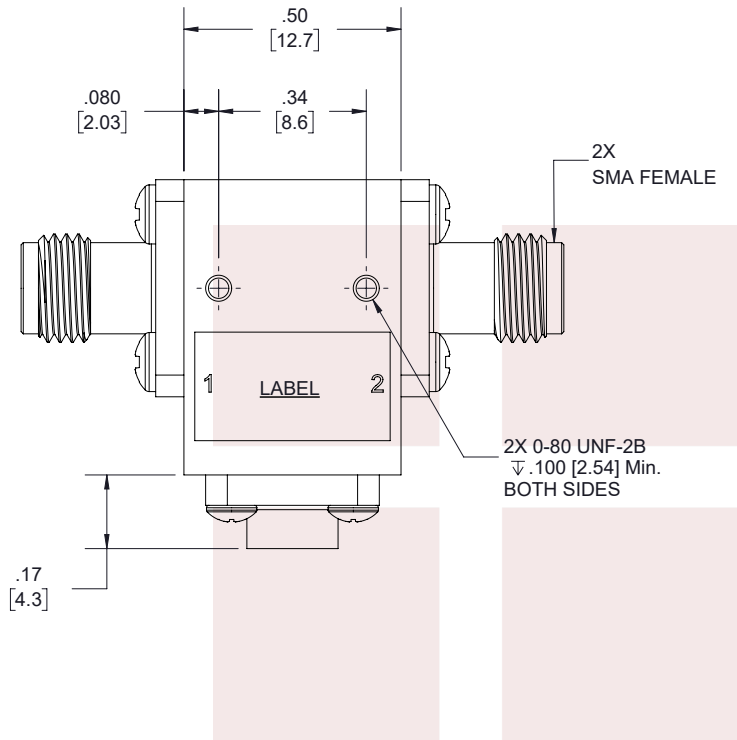
High Power Isolator SMA Female with 16 dB Isolation from 8 GHz to 18 GHz Rated to 50 Watts from Fairview Microwave is in-stock and available to ship same-day. All of our RF/microwave products are available off-the-shelf from our ISO 9001:2008 certified facilities in Lewisville, Texas. Fairview Microwave is RF on-demand.

For additional information on this product, please click the following link: [High Power Isolator SMA Female with 16 dB Isolation from 8 GHz to 18 GHz Rated to 50 Watts FMIR1010A](#)

URL: <https://www.fairviewmicrowave.com/high-power-isolator-sma-female-16db-isolation-18-ghz-50-watts-fmir1010a-p.aspx>

The information contained in this document is accurate to the best of our knowledge and representative of the part described herein. It may be necessary to make modifications to the part and/or the documentation of the part, in order to implement improvements. Fairview Microwave reserves the right to make such changes as required. Unless otherwise stated, all specifications are nominal. Fairview Microwave does not make any representation or warranty regarding the suitability of the part described herein for any particular purpose, and Fairview Microwave does not assume any liability arising out of the use of any part or documentation.





**LABEL:**

FMIR1010A		
1	D/C: YYWW	2
8.0 - 18.00 GHz		

**STANDARD TOLERANCES**

.X	±0.2
.XX	±0.01
.XXX	±0.005

\*STANDARD TOLERANCES APPLY ONLY TO DIMENSIONS IN INCHES

<p><b>Fairview Microwave</b> an INFINIT<sup>®</sup> brand</p>		<p>NOTES: 1. UNLESS OTHERWISE SPECIFIED ALL DIMENSIONS ARE NOMINAL. 2. ALL SPECIFICATIONS ARE SUBJECT TO CHANGE WITHOUT NOTICE AT ANY TIME. 3. DIMENSIONS ARE IN INCHES [mm].</p>				
<p>TITLE High Power Isolator SMA Female with 16 dB Isolation from 8 GHz to 18 GHz Rated to 50 Watts</p>		<p>DWG NO FMIR1010A</p>		<p>CAGE CODE 3FKR5</p>		
CAD FILE	08/26/19	SHEET	1 OF 1	SCALE	N/A	SIZE A 7361